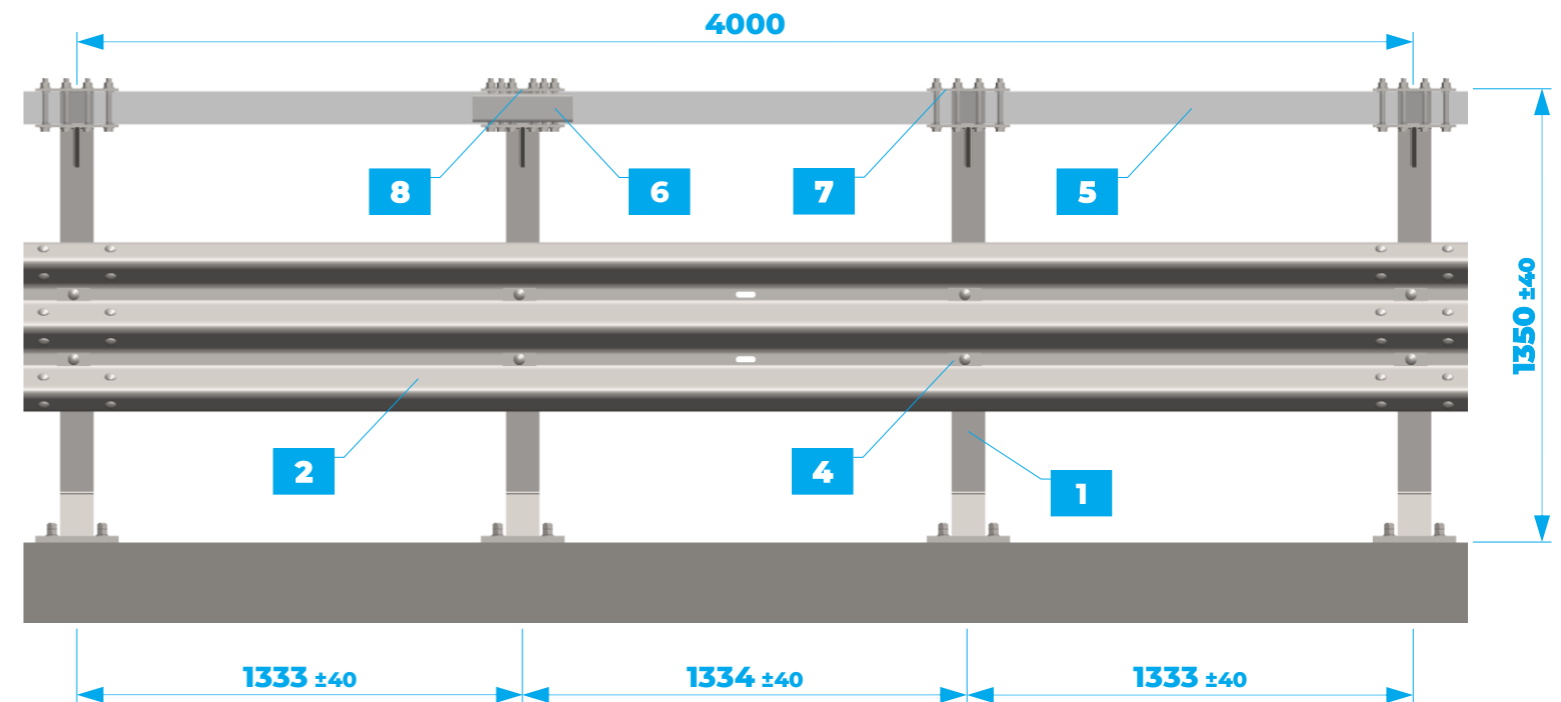


Single sided safety barrier for bridge

# TR KGM H4b-W3 bw

CE 801/2131/CPR/2019

# KISAN



### Characteristics

Height above ground	1.350 mm
Depth of anchor rods penetration	240 mm
Overall width	465 mm
Post spacing	1.333 mm
Modularity	4.000 mm

### Performance EN 1317

Test TB11, car, 900kg, 100km/h, 20°	Aisico #1881
Test TB81, articulated HGV, 38.000kg, 65km/h, 20°	Aisico #1882
Installation length	60 m
Containment level	H4b
Severity impact	B
Normalised working width	W3
Normalised dynamic deflection	0,9 m
Normalised vehicle intrusion	VI5



#	Component	Grade
1	Post with footplate, HEA100, 1.335 mm	S355 JR
2	Beam, 3W profile, 4.320 mm, 2,50 mm	S355 JR
3	Spacer, 4,00 mm	S355 JR
4	Connection plate, M16, 100 mm, 5,00 mm	S235 JR
5	Box profile, 200x100 mm, 5.328 mm, 4,00 mm	S355 JR
6	Box profile, 186x85 mm, 300 mm, 4,50 mm	S355 JR
7	Connection plate, 250x180 mm, 8,00 mm	S355 JR
8	Connection plate, 250x180 mm, 8,00 mm	S355 JR
9	Round head bolt M16x35, nut, washer	8.8
10	Hexagon head bolt M16x50, nut, washer	8.8
11	Hexagon head bolt M16x150, nut, washer	8.8
12	Anchor rod M20x300, nut, washer	8.8

