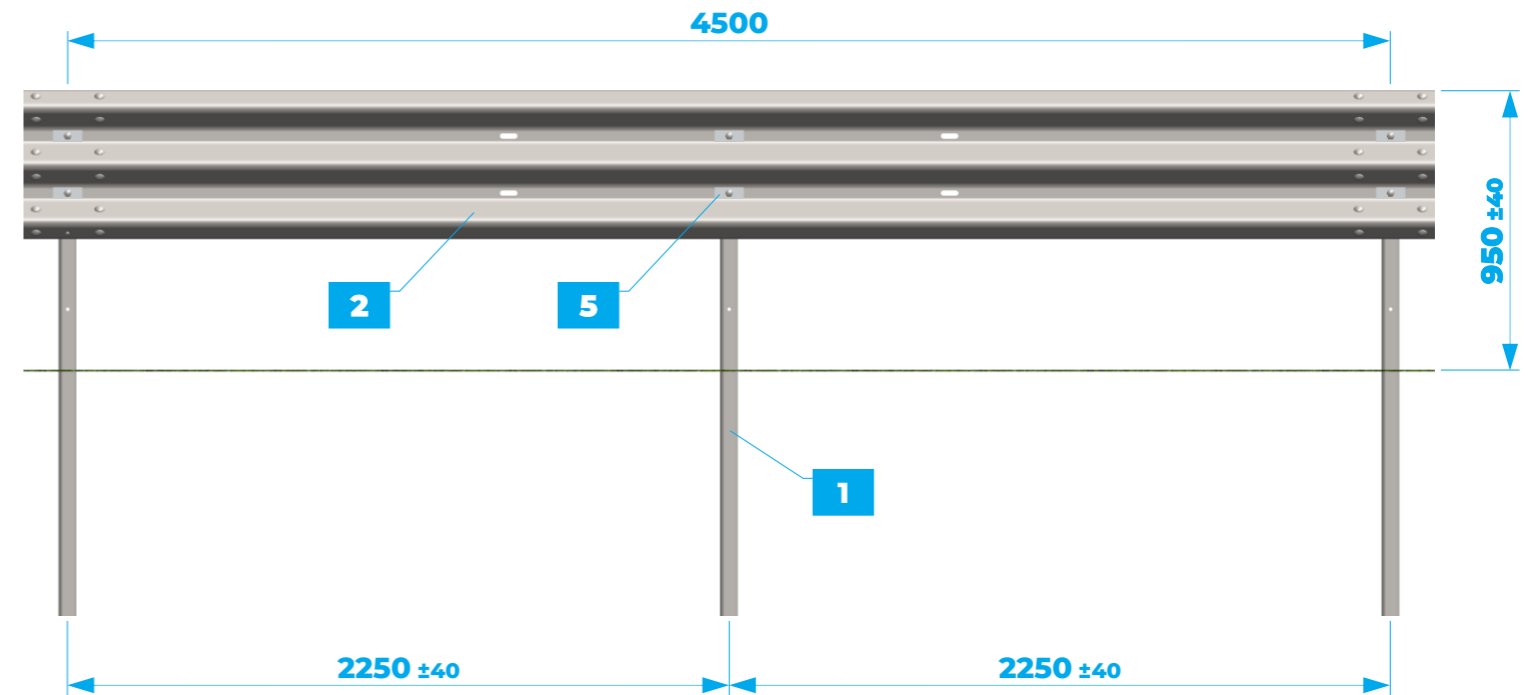
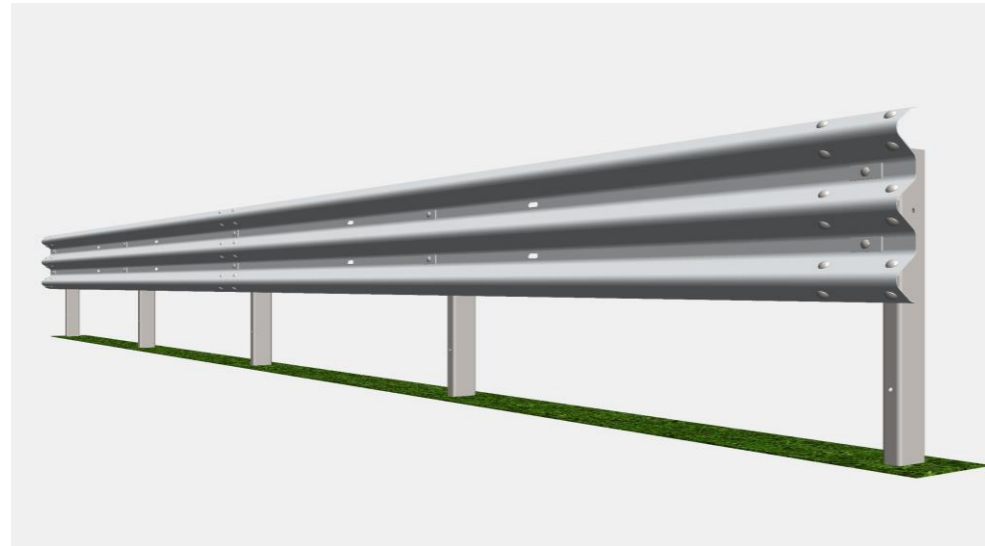


Single sided safety barrier for ground

# TR H2-W3

CE 604/2131/CPR/2017

# KISAN



### Characteristics

Height above ground	950 mm
Depth of penetration	835 mm
Overall width	307 mm
Post spacing	2.250 mm
Modularity	4.500 mm

### Performance EN 1317

Test TB11, car, 900kg, 100km/h, 20°	Aisico #1517
Test TB51, bus, 13.000kg, 70km/h, 20°	Aisico #1518
Installation length	54 m
Containment level	H2
Severity impact	A
Normalised working width	W3
Normalised dynamic deflection	0,8 m
Normalised vehicle intrusion	VI3



#	Component	Galvanized	Corten
1	Post, C120, 1.700 mm, 5,00 mm	S355 JR	S355 J0W
2	Beam, 3W profile, 4.800 mm, 2,50 mm	S355 JR	S355 J0W
3	Post reinforcement, U105, 250 mm, 4,00 mm	S355 JR	S355 J0W
4	Spacer, C100, 290 mm, 5,00 mm	S355 JR	S355 J0W
5	Connection plate, M16, 100 mm, 5,00 mm	S235 JR	S355 J0W
6	Round head bolt M16x35, nut, washer	8.8	Tropicaliz.
7	Hexagon head bolt M16x45, nut, washer	8.8	Tropicaliz.
8	Hexagon head bolt M10x40, nut, 2 washers	8.8	Tropicaliz.

