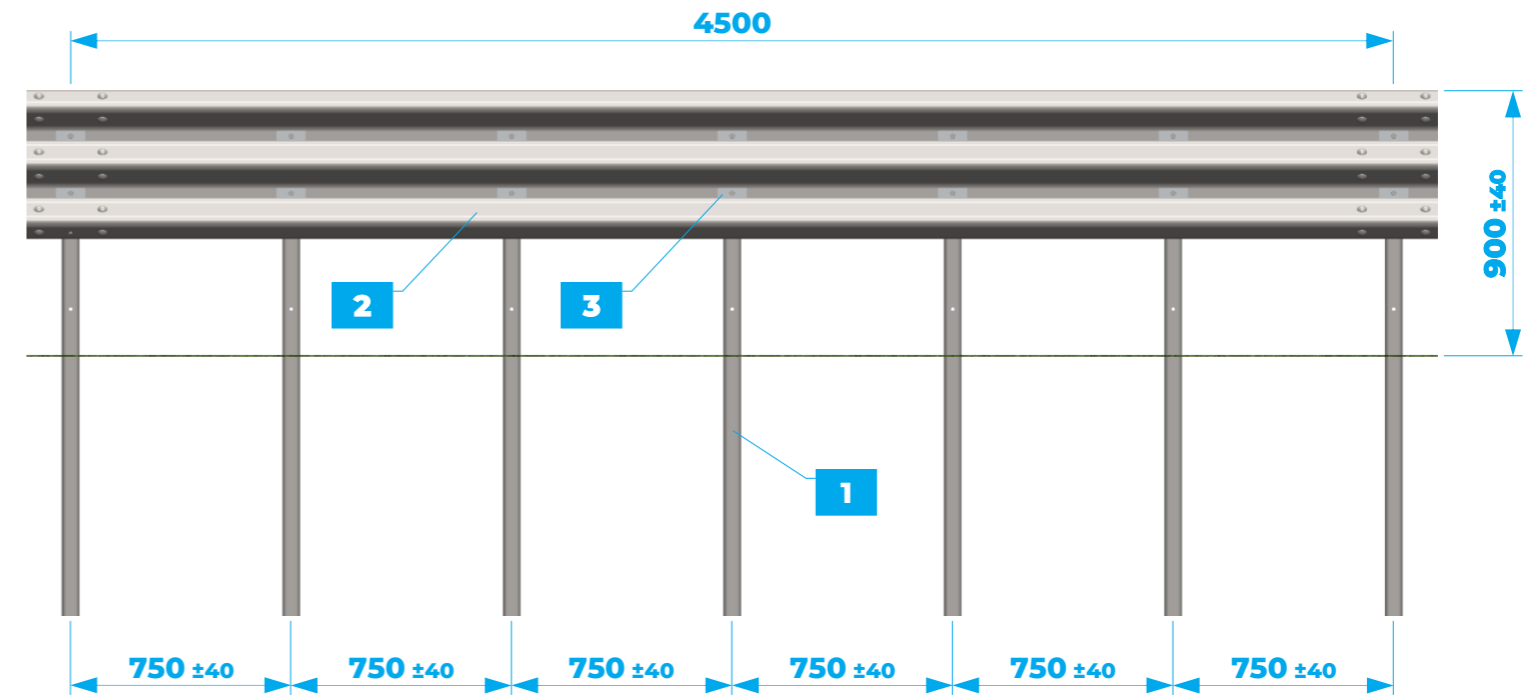
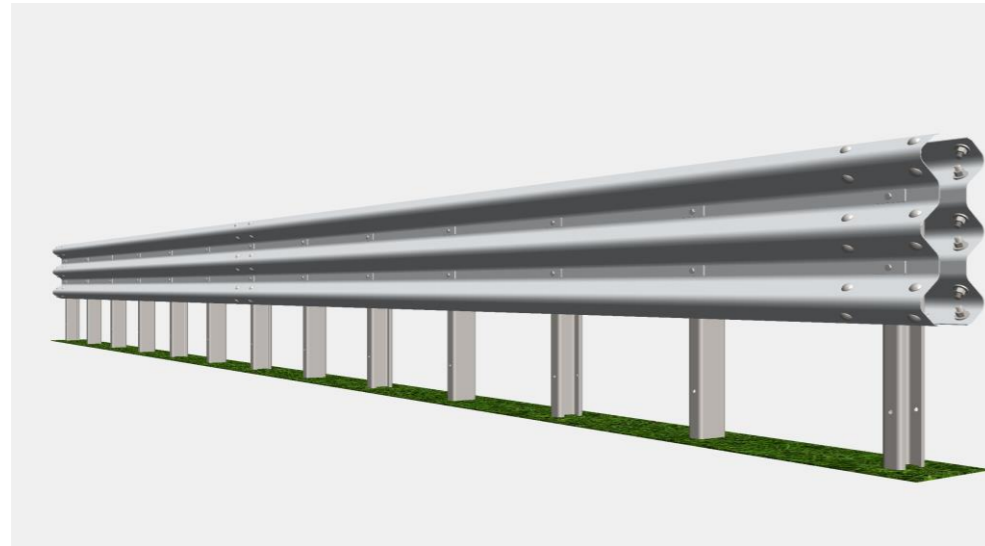


Double sided safety barrier for ground

# TR H2-W2 ds

CE 644/2131/CPR/2017

# KISAN



### Characteristics

Height above ground	900 mm
Depth of penetration	885 mm
Overall width	291 mm
Post spacing	750 mm
Modularity	4.500 mm

### Performance EN 1317

Test TB11, car, 900kg, 100km/h, 20°	Aisico #1559
Test TB51, bus, 13.000kg, 70km/h, 20°	Aisico #1560
Installation length	40,5 m
Containment level	H2
Severity impact	B
Normalised working width	W2
Normalised dynamic deflection	0,6 m
Normalised vehicle intrusion	VI2



#	Component	Galvanized	Corten
1	Post, C120, 1.700 mm, 5,00 mm	S355 JR	S355 J0W
2	Beam, 3W profile, 4.800 mm, 2,50 mm	S355 JR	S355 J0W
3	Connection plate, M10, 100 mm, 5,00 mm	S235 JR	S355 J0W
4	Round head bolt M16x35, nut, washer	8.8	Tropicaliz.
5	Hexagon head bolt M10x40, nut, washer	8.8	Tropicaliz.

