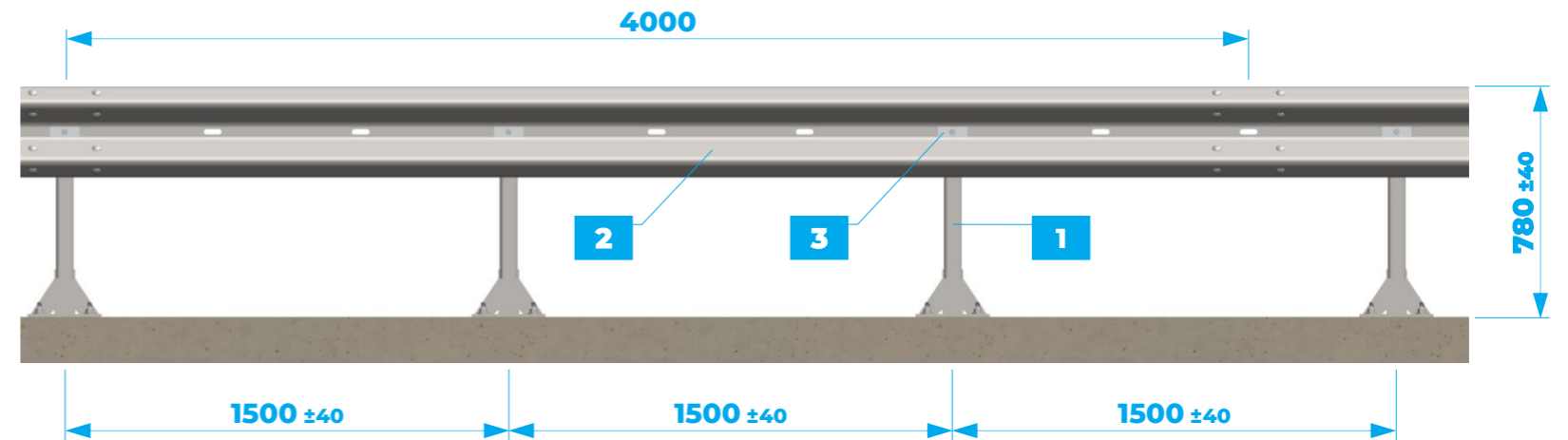


Single sided safety barrier for bridge

# TR H1-W2 bw

CE 676/2131/CPR/2018

# KISAN



### Characteristics

Height above ground	780 mm
Depth of anchor rods penetration	150 mm
Overall width	200 mm
Post spacing	1.500 mm
Modularity	4.000 mm

### Performance EN 1317

Test TB11, car, 900kg, 100km/h, 20°	Aisico #1593
Test TB42, rigid HGV, 10.000kg, 70km/h, 15°	Aisico #1591
Installation length	48 m
Containment level	H1
Severity impact	A
Normalised working width	W2
Normalised dynamic deflection	0,5 m
Normalised vehicle intrusion	VI5



#	Component	Galvanized	Corten
1	Post with footplate, C120, 685 mm, 4,00 mm	S355 JR	S355 J0W
2	Beam, 2W profile, 4.300 mm, 2,50 mm	S355 JR	S355 J0W
3	Connection plate, M12, 100 mm, 5,00 mm	S235 JR	S355 J0W
4	Round head bolt M16x35, nut, washer	8.8	Tropicaliz.
5	Hexagon head bolt M12x40, nut, 2 washers	8.8	Tropicaliz.
6	Anchor rod M16x200, nut, washer	8.8	Tropicaliz.

